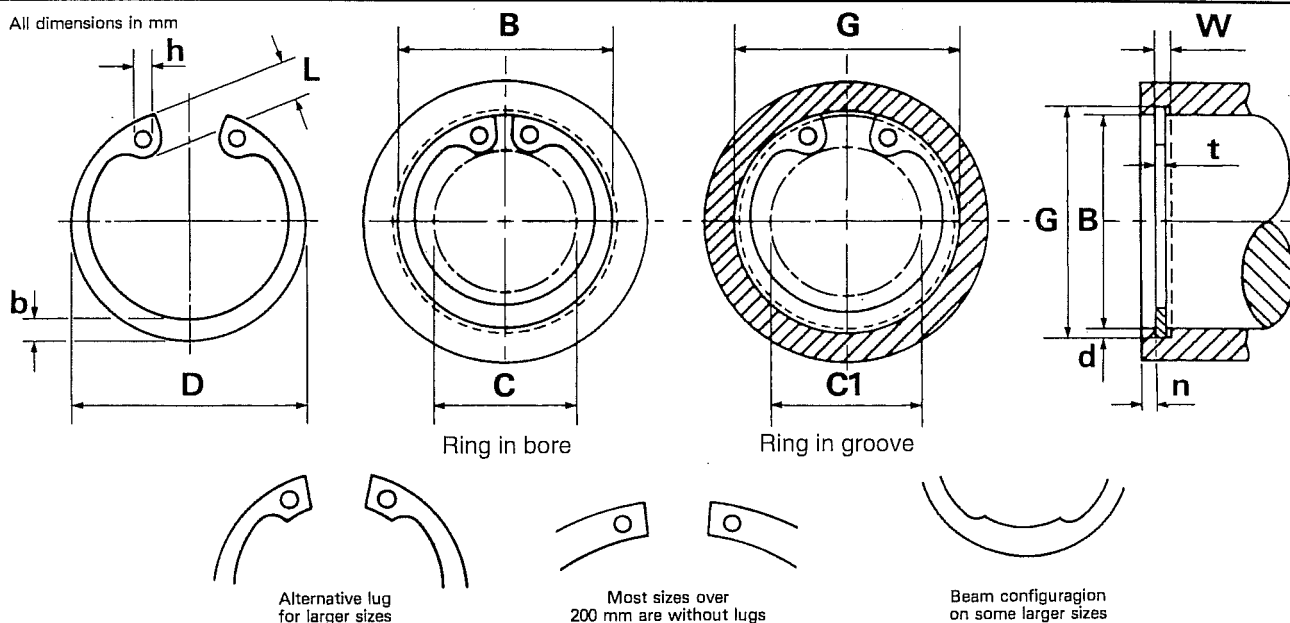


STANDARD INTERNAL SPECIFICATIONS

D1300 INCORPORATING DIN 472 & BS3673 Pt.4



All dimensions in mm



SIZE CODE	Bore		Groove (G)					Ring (F)										Wt. (kg/k)	Tc (N)	Tg (N)
	B	G	Tol.	W	Tol.	n (min)	d	t	Tol.	D	Tol.	C	C1	L (max)	b	h (mini)				
0080	8	8.4	+0.09	0.90		0.6	0.2	0.80	+0.00	8.7		3.0	3.6	2.4	1.1	1.0	0.11	6200	600	
0090	9	9.4	-0.00	0.90		0.6	0.2	0.80	-0.05	9.8		3.7	4.4	2.5	1.3	1.0	0.17	7000	680	
0095	9.5	9.9		1.10		0.6	0.2	1.00		10.3		3.2	3.9	3.0	1.3	1.2	0.22	9300	720	
0100	10	10.4		1.10		0.6	0.2	1.00		10.8		3.3	4.0	3.2	1.4	1.2	0.24	9700	750	
0110	11	11.4		1.10		0.6	0.2	1.00		11.8	+0.36	4.1	4.8	3.3	1.5	1.2	0.30	10700	830	
0120	12	12.5		1.10		0.8	0.3	1.00	-0.10	13.0		4.9	5.7	3.4	1.7	1.5	0.34	11700	1130	
0130	13	13.6	+0.11	1.10		0.9	0.3	1.00		14.1		5.4	6.4	3.6	1.8	1.5	0.39	12700	1470	
0140	14	14.6	-0.00	1.10		0.9	0.3	1.00		15.1		6.2	7.2	3.7	1.9	1.7	0.45	13600	1580	
0150	15	15.7		1.10		1.1	0.4	1.00		16.2		7.2	8.3	3.7	2.0	1.7	0.48	14600	1980	
0160	16	16.8		1.10		1.2	0.4	1.00		17.3		8.0	9.2	3.8	2.0	1.7	0.54	15600	2410	
0170	17	17.8		1.10		1.2	0.4	1.00		18.3		8.8	10.0	3.9	2.1	1.7	0.59	16600	2560	
0180	18	19.0		1.10		1.5	0.5	1.00		19.5		9.4	10.8	4.1	2.2	2.0	0.61	17500	3390	
0190	19	20.0	+0.13	1.10		1.5	0.5	1.00		20.5	+0.42	10.4	11.8	4.1	2.2	2.0	0.72	18500	3580	
0200	20	21.0	-0.00	1.10		1.5	0.5	1.00		21.5	-0.13	11.2	12.6	4.2	2.3	2.0	0.75	19500	3770	
0210	21	22.0		1.10		1.5	0.5	1.00		22.5		12.2	13.6	4.2	2.4	2.0	0.84	20400	3960	
0220	22	23.0		1.10		1.5	0.5	1.00		23.5		13.2	14.6	4.2	2.5	2.0	0.86	21400	4150	
0230	23	24.1		1.30		1.7	0.6	1.20		24.6		14.2	15.7	4.2	2.5	2.0	1.20	26900	4770	
0240	24	25.2		1.30		1.8	0.6	1.20		25.9	+0.42	14.8	16.4	4.4	2.6	2.0	1.21	28000	5430	
0250	25	26.2	+0.21	1.30		1.8	0.6	1.20		26.9	-0.21	15.5	17.2	4.5	2.7	2.0	1.33	29200	5650	
0260	26	27.2	-0.00	1.30		1.8	0.6	1.20	+0.00	27.9		16.1	17.8	4.7	2.8	2.0	1.35	30400	5880	
0270	27	28.4		1.30		2.1	0.7	1.20	-0.06	29.1		17.1	19.0	4.7	2.9	2.0	1.55	31600	7130	
0280	28	29.4		1.30		2.1	0.7	1.20		30.1		17.9	19.8	4.8	2.9	2.0	1.64	32700	7390	
0290	29	30.4		1.30		2.1	0.7	1.20		31.1		18.9	20.8	4.8	3.0	2.0	1.74	33900	7650	
0300	30	31.4		1.30		2.1	0.7	1.20		32.1		19.9	21.8	4.8	3.0	2.0	1.87	35100	7920	
0310	31	32.7		1.30	+0.14	2.6	0.9	1.20		33.4		20.0	22.3	5.2	3.2	2.5	2.20	36200	9930	
0320	32	33.7		1.30	-0.00	2.6	0.9	1.20		34.4	+0.50	20.6	22.9	5.4	3.2	2.5	1.98	37400	10300	
0330	33	34.7		1.30		2.6	0.9	1.20		35.5	-0.25	21.6	23.9	5.4	3.3	2.5	2.13	36800	10600	
0340	34	35.7	+0.25	1.60		2.6	0.9	1.50		36.5		22.6	24.9	5.4	3.3	2.5	2.88	49700	10900	
0350	35	37.0	-0.00	1.60		3.0	1.0	1.50		37.8		23.6	26.2	5.4	3.4	2.5	2.93	51100	13200	
0360	36	35.0		1.60		3.0	1.0	1.50		38.8		24.6	27.2	5.4	4.0	2.5	3.23	52600	13600	
0370	37	39.0		1.60		3.0	1.0	1.50		39.8		25.4	28.0	5.5	3.2	2.5	2.98	54100	13900	
0380	38	40.0		1.60		3.0	1.0	1.50		40.8		26.4	29.0	5.5	3.7	2.5	3.54	55500	14300	
0400	40	42.5		1.85		3.8	1.3	1.75		43.5		27.8	30.9	5.8	3.9	2.5	4.63	56600	18800	
0410	41	43.5		1.85		3.8	1.3	1.75		44.5		28.6	31.7	5.9	4.0	2.5	5.37	58000	19300	
0420	42	44.5		1.85		3.8	1.3	1.75		45.5	+0.90	29.6	32.7	5.9	4.1	2.5	5.21	59500	19800	
0450	45	47.5		1.85		3.8	1.3	1.75		48.5	-0.39	32.0	35.1	6.2	4.3	2.5	5.88	63700	21200	
0470	47	49.5		1.85		3.8	1.3	1.75		50.5		33.5	36.7	6.4	4.4	2.5	6.13	66500	22100	
0480	48	50.5		1.85		3.8	1.3	1.75		51.5		34.5	37.7	6.4	4.5	2.5	6.31	68000	22600	
0500	50	53.0		2.15		4.5	1.5	2.00		54.2		36.3	40.0	6.5	4.6	2.5	8.01	80900	28300	
0510	51	54.0		2.15		4.5	1.5	2.00		55.2		37.3	41.0	6.5	4.7	2.5	8.72	82500	28800	
0520	52	55.0		2.15		4.5	1.5	2.00		56.2		37.9	41.6	6.7	4.7	2.5	8.91	84100	29400	
0550	55	58.0		2.15		4.5	1.5	2.00		59.2		40.7	44.4	6.8	5.0	2.5	9.44	89000	31100	
0560	56	59.0		2.15		4.5	1.5	2.00	+0.00	60.2		41.7	45.4	6.8	5.1	2.5	9.75	90600	31700	
0570	57	60.0	+0.30	2.15		4.5	1.5	2.00	-0.07	62.2	+1.10	42.7	46.4	6.8	5.1	2.5	9.56	92200	32200	
0580	58	61.0	-0.00	2.15		4.5	1.5	2.00		62.2	-0.46	43.5	47.2	6.9	5.2	2.5	10.36	93800	32800	
0600	60	63.0		2.15		4.5	1.5	2.00		64.2		44.7	48.4	7.3	5.4	2.5	11.15	97100	33900	
0620	62	65.0		2.15		4.5	1.5	2.00		66.2		46.7	50.4	7.3	5.5	2.5	11.59	100000	35100	
0630	63	66.0		2.15		4.5	1.5	2.00		67.2		47.7	51.4	7.3	5.6	2.5	11.78	102000	35600	
0640	64	67.0		2.15		4.5	1.5	2.00		68.2		48.7	52.4	7.3	5.2	2.5	16.80	104000	36200	
0650	65	68.0		2.65		4.5	1.5	2.50		69.2		49.0	52.8	7.6	5.8	3.0	17.71	131000	36800	

Standard Material - carbon spring steel. Standard Finish - phosphate and oil.

