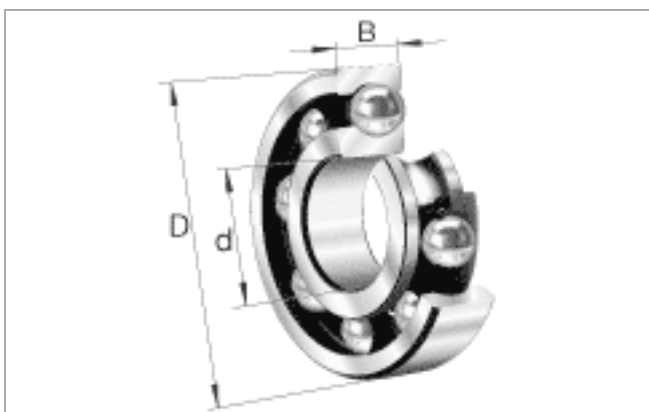




# Radial ball bearings 160

main dimensions to DIN 625-1

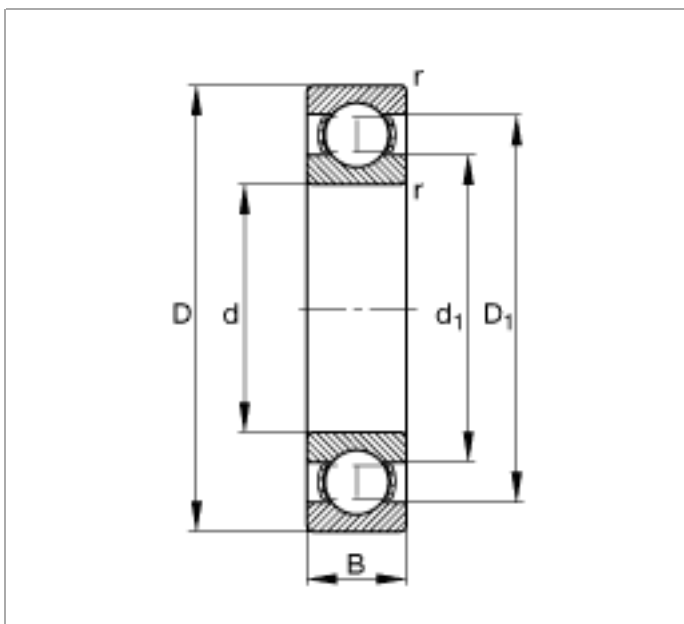
The datasheet is only an overview of dimensions and basic load ratings for the selected series. Please ensure that you note all the guidance in these overview pages. Further information is given on many products under the menu item "Description". You can also request comprehensive information material by e-mail (sales\_promotion@fag.de) or by telephone +49 (9721) 91 - 45 84.



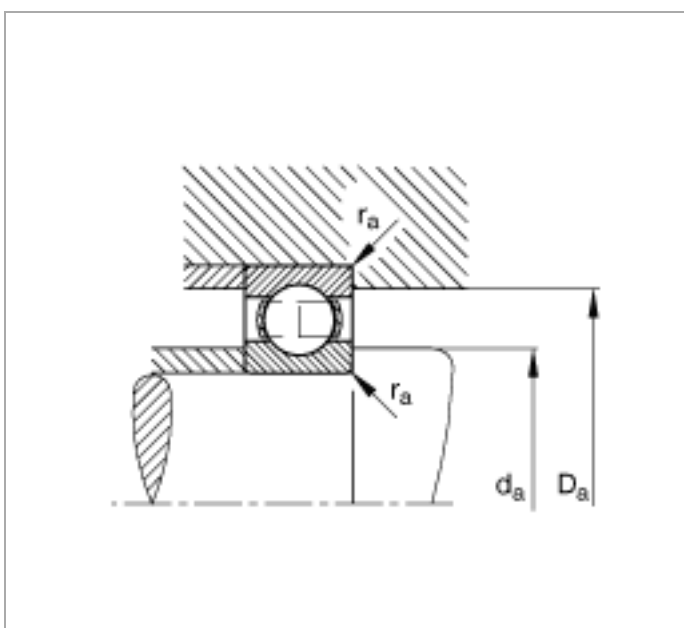
	d mm	D mm	B mm
16002	15	32	8
16003	17	35	8
16004	20	42	8
16005	25	47	8
16006	30	55	9
16007	35	62	9
16008	40	68	9
16009	45	75	10
16010	50	80	10
16011	55	90	11
16012	60	95	11
16013	65	100	11
16014	70	110	13
16015	75	115	13
16016	80	125	14
16017	85	130	14
16018	90	140	16
16019	95	145	16
16020	100	150	16
16021	105	160	18
16022	110	170	19
16024	120	180	19
16026	130	200	22

	<b>d</b> mm	<b>D</b> mm	<b>B</b> mm
16028	140	210	22
16030	150	225	24
16032	160	240	25
16034	170	260	28
16036	180	280	31
16038	190	290	31
16040	200	310	34
16044	220	340	37
16048	240	360	37
16052	260	400	44
16056M	280	420	44
16060M	300	460	50
16064M	320	480	50
16068M	340	520	57
16072M	360	540	57
16076M	380	560	57
	<b>d</b> mm	<b>D</b> mm	<b>B</b> mm

**Figure 1**



**Figure 2**



## 16002

Figure 1 , Figure 2 ,

d	15 mm	
D	32 mm	
B	8 mm	
D <sub>1</sub>	26,9 mm	
d <sub>1</sub>	20,5 mm	
D <sub>a max</sub>	30 mm	
d <sub>a min</sub>	17 mm	
f <sub>a max</sub>	0,3 mm	
r <sub>min</sub>	0,3 mm	
m	0,027 kg	Mass
C <sub>r</sub>	5600 N	Basic dynamic load rating, radial
C <sub>0r</sub>	2850 N	Basic static load rating, radial
n <sub>G</sub>	30000 1/min	Limiting speed
n <sub>B</sub>	22000 1/min	Reference speed
C <sub>ur</sub>	144 N	Fatigue limit load, radial

## 16003

Figure 1 , Figure 2 ,

d	17 mm	
D	35 mm	
B	8 mm	
D <sub>1</sub>	29,5 mm	
d <sub>1</sub>	22,7 mm	
D <sub>a max</sub>	33 mm	
d <sub>a min</sub>	19 mm	
f <sub>a max</sub>	0,3 mm	
r <sub>min</sub>	0,3 mm	
m	0,03 kg	Mass
C <sub>r</sub>	6000 N	Basic dynamic load rating, radial
C <sub>0r</sub>	3250 N	Basic static load rating, radial
n <sub>G</sub>	28000 1/min	Limiting speed
n <sub>B</sub>	20000 1/min	Reference speed
C <sub>ur</sub>	157 N	Fatigue limit load, radial

## 16004

Figure 1, Figure 2,

d	20 mm	
D	42 mm	
B	8 mm	
D <sub>1</sub>	34,7 mm	
d <sub>1</sub>	27,2 mm	
D <sub>a max</sub>	40 mm	
d <sub>a min</sub>	22 mm	
r <sub>a max</sub>	0,3 mm	
r <sub>min</sub>	0,3 mm	
m	0,05 kg	Mass
C <sub>r</sub>	6950 N	Basic dynamic load rating, radial
C <sub>0r</sub>	4050 N	Basic static load rating, radial
n <sub>G</sub>	22000 1/min	Limiting speed
n <sub>B</sub>	16000 1/min	Reference speed
C <sub>ur</sub>	203 N	Fatigue limit load, radial

## 16005

Figure 1, Figure 2,

d	25 mm	
D	47 mm	
B	8 mm	
D <sub>1</sub>	39,7 mm	
d <sub>1</sub>	32,2 mm	
D <sub>a max</sub>	45 mm	
d <sub>a min</sub>	27 mm	
r <sub>a max</sub>	0,3 mm	
r <sub>min</sub>	0,3 mm	
m	0,055 kg	Mass
C <sub>r</sub>	7200 N	Basic dynamic load rating, radial
C <sub>0r</sub>	4650 N	Basic static load rating, radial
n <sub>G</sub>	19000 1/min	Limiting speed
n <sub>B</sub>	14000 1/min	Reference speed
C <sub>ur</sub>	216 N	Fatigue limit load, radial

## 16006

Figure 1 , Figure 2 ,

d	30 mm	
D	55 mm	
B	9 mm	
D <sub>1</sub>	47,5 mm	
d <sub>1</sub>	37,7 mm	
D <sub>a max</sub>	53 mm	
d <sub>a min</sub>	32 mm	
r <sub>a max</sub>	0,3 mm	
r <sub>min</sub>	0,3 mm	
m	0,082 kg	Mass
C <sub>r</sub>	11200 N	Basic dynamic load rating, radial
C <sub>0r</sub>	7350 N	Basic static load rating, radial
n <sub>G</sub>	16000 1/min	Limiting speed
n <sub>B</sub>	12000 1/min	Reference speed
C <sub>ur</sub>	365 N	Fatigue limit load, radial

## 16007

Figure 1 , Figure 2 ,

d	35 mm	
D	62 mm	
B	9 mm	
D <sub>1</sub>	53,5 mm	
d <sub>1</sub>	43,7 mm	
D <sub>a max</sub>	60 mm	
d <sub>a min</sub>	37 mm	
r <sub>a max</sub>	0,3 mm	
r <sub>min</sub>	0,3 mm	
m	0,105 kg	Mass
C <sub>r</sub>	12200 N	Basic dynamic load rating, radial
C <sub>0r</sub>	8800 N	Basic static load rating, radial
n <sub>G</sub>	14000 1/min	Limiting speed
n <sub>B</sub>	10000 1/min	Reference speed
C <sub>ur</sub>	415 N	Fatigue limit load, radial

## 16008

Figure 1 , Figure 2 ,

d	40 mm	
D	68 mm	
B	9 mm	
D <sub>1</sub>	59,3 mm	
d <sub>1</sub>	49,4 mm	
D <sub>a max</sub>	66 mm	
d <sub>a min</sub>	42 mm	
r <sub>a max</sub>	0,3 mm	
r <sub>min</sub>	0,3 mm	
m	0,12 kg	Mass
C <sub>r</sub>	13200 N	Basic dynamic load rating, radial
C <sub>0r</sub>	10200 N	Basic static load rating, radial
n <sub>G</sub>	13000 1/min	Limiting speed
n <sub>B</sub>	9000 1/min	Reference speed
C <sub>ur</sub>	465 N	Fatigue limit load, radial

## 16009

Figure 1 , Figure 2 ,

d	45 mm	
D	75 mm	
B	10 mm	
D <sub>1</sub>	65,6 mm	
d <sub>1</sub>	55 mm	
D <sub>a max</sub>	71,8 mm	
d <sub>a min</sub>	48,2 mm	
r <sub>a max</sub>	0,6 mm	
r <sub>min</sub>	0,6 mm	
m	0,167 kg	Mass
C <sub>r</sub>	15600 N	Basic dynamic load rating, radial
C <sub>0r</sub>	12200 N	Basic static load rating, radial
n <sub>G</sub>	22000 1/min	Limiting speed
n <sub>B</sub>	8500 1/min	Reference speed
C <sub>ur</sub>	580 N	Fatigue limit load, radial

## 16010

Figure 1, Figure 2,

d	50 mm	
D	80 mm	
B	10 mm	
D <sub>1</sub>	70,6 mm	
d <sub>1</sub>	60,1 mm	
D <sub>a max</sub>	76,8 mm	
d <sub>a min</sub>	53,2 mm	
r <sub>a max</sub>	0,6 mm	
r <sub>min</sub>	0,6 mm	
m	0,181 kg	Mass
C <sub>r</sub>	16000 N	Basic dynamic load rating, radial
C <sub>0r</sub>	13200 N	Basic static load rating, radial
n <sub>G</sub>	20000 1/min	Limiting speed
n <sub>B</sub>	7500 1/min	Reference speed
C <sub>ur</sub>	610 N	Fatigue limit load, radial

## 16011

Figure 1, Figure 2,

d	55 mm	
D	90 mm	
B	11 mm	
D <sub>1</sub>	78 mm	
d <sub>1</sub>	67,1 mm	
D <sub>a max</sub>	86,8 mm	
d <sub>a min</sub>	58,2 mm	
r <sub>a max</sub>	0,6 mm	
r <sub>min</sub>	0,6 mm	
m	0,266 kg	Mass
C <sub>r</sub>	19300 N	Basic dynamic load rating, radial
C <sub>0r</sub>	16300 N	Basic static load rating, radial
n <sub>G</sub>	18000 1/min	Limiting speed
n <sub>B</sub>	7000 1/min	Reference speed
C <sub>ur</sub>	780 N	Fatigue limit load, radial

## 16012

Figure 1, Figure 2,

d	60 mm	
D	95 mm	
B	11 mm	
D <sub>1</sub>	82,9 mm	
d <sub>1</sub>	72,1 mm	
D <sub>a max</sub>	91,8 mm	
d <sub>a min</sub>	63,2 mm	
r <sub>a max</sub>	0,6 mm	
r <sub>min</sub>	0,6 mm	
m	0,283 kg	Mass
C <sub>r</sub>	20000 N	Basic dynamic load rating, radial
C <sub>0r</sub>	17600 N	Basic static load rating, radial
n <sub>G</sub>	17000 1/min	Limiting speed
n <sub>B</sub>	6300 1/min	Reference speed
C <sub>ur</sub>	820 N	Fatigue limit load, radial

## 16013

Figure 1, Figure 2,

d	65 mm	
D	100 mm	
B	11 mm	
D <sub>1</sub>	87,9 mm	
d <sub>1</sub>	77,1 mm	
D <sub>a max</sub>	96,8 mm	
d <sub>a min</sub>	68,2 mm	
r <sub>a max</sub>	0,6 mm	
r <sub>min</sub>	0,6 mm	
m	0,302 kg	Mass
C <sub>r</sub>	21200 N	Basic dynamic load rating, radial
C <sub>0r</sub>	19600 N	Basic static load rating, radial
n <sub>G</sub>	16000 1/min	Limiting speed
n <sub>B</sub>	6000 1/min	Reference speed
C <sub>ur</sub>	910 N	Fatigue limit load, radial

## 16014

Figure 1, Figure 2,

d	70 mm	
D	110 mm	
B	13 mm	
D <sub>1</sub>	96,2 mm	
d <sub>1</sub>	83,7 mm	
D <sub>a max</sub>	106,8 mm	
d <sub>a min</sub>	73,2 mm	
r <sub>a max</sub>	0,6 mm	
r <sub>min</sub>	0,6 mm	
m	0,438 kg	Mass
C <sub>r</sub>	28000 N	Basic dynamic load rating, radial
C <sub>0r</sub>	25000 N	Basic static load rating, radial
n <sub>G</sub>	14000 1/min	Limiting speed
n <sub>B</sub>	6000 1/min	Reference speed
C <sub>ur</sub>	1230 N	Fatigue limit load, radial

## 16015

Figure 1, Figure 2,

d	75 mm	
D	115 mm	
B	13 mm	
D <sub>1</sub>	101,2 mm	
d <sub>1</sub>	88,7 mm	
D <sub>a max</sub>	111,8 mm	
d <sub>a min</sub>	78,2 mm	
r <sub>a max</sub>	0,6 mm	
r <sub>min</sub>	0,6 mm	
m	0,463 kg	Mass
C <sub>r</sub>	28500 N	Basic dynamic load rating, radial
C <sub>0r</sub>	27000 N	Basic static load rating, radial
n <sub>G</sub>	13000 1/min	Limiting speed
n <sub>B</sub>	5600 1/min	Reference speed
C <sub>ur</sub>	1290 N	Fatigue limit load, radial

## 16016

Figure 1, Figure 2,

d	80 mm	
D	125 mm	
B	14 mm	
D <sub>1</sub>	110,7 mm	
d <sub>1</sub>	96,9 mm	
D <sub>a max</sub>	121,8 mm	
d <sub>a min</sub>	83,2 mm	
r <sub>a max</sub>	0,6 mm	
r <sub>min</sub>	0,6 mm	
m	0,609 kg	Mass
C <sub>r</sub>	32000 N	Basic dynamic load rating, radial
C <sub>0r</sub>	31000 N	Basic static load rating, radial
n <sub>G</sub>	13000 1/min	Limiting speed
n <sub>B</sub>	5300 1/min	Reference speed
C <sub>ur</sub>	1520 N	Fatigue limit load, radial

## 16017

Figure 1, Figure 2,

d	85 mm	
D	130 mm	
B	14 mm	
D <sub>1</sub>	113,8 mm	
d <sub>1</sub>	101,6 mm	
D <sub>a max</sub>	126,8 mm	
d <sub>a min</sub>	88,2 mm	
r <sub>a max</sub>	0,6 mm	
r <sub>min</sub>	0,6 mm	
m	0,666 kg	Mass
C <sub>r</sub>	34000 N	Basic dynamic load rating, radial
C <sub>0r</sub>	33500 N	Basic static load rating, radial
n <sub>G</sub>	12000 1/min	Limiting speed
n <sub>B</sub>	5000 1/min	Reference speed
C <sub>ur</sub>	1500 N	Fatigue limit load, radial

## 16018

Figure 1, Figure 2,

d	90 mm	
D	140 mm	
B	16 mm	
D <sub>1</sub>	122,7 mm	
d <sub>1</sub>	107,6 mm	
D <sub>a max</sub>	135,4 mm	
d <sub>a min</sub>	94,6 mm	
f <sub>a max</sub>	1 mm	
r <sub>min</sub>	1 mm	
m	0,866 kg	Mass
C <sub>r</sub>	41500 N	Basic dynamic load rating, radial
C <sub>0r</sub>	39000 N	Basic static load rating, radial
n <sub>G</sub>	11000 1/min	Limiting speed
n <sub>B</sub>	5000 1/min	Reference speed
C <sub>ur</sub>	1880 N	Fatigue limit load, radial

## 16019

Figure 1, Figure 2,

d	95 mm	
D	145 mm	
B	16 mm	
D <sub>1</sub>	128,3 mm	
d <sub>1</sub>	113,8 mm	
D <sub>a max</sub>	140,4 mm	
d <sub>a min</sub>	99,6 mm	
f <sub>a max</sub>	1 mm	
r <sub>min</sub>	1 mm	
m	0,922 kg	Mass
C <sub>r</sub>	40000 N	Basic dynamic load rating, radial
C <sub>0r</sub>	40500 N	Basic static load rating, radial
n <sub>G</sub>	11000 1/min	Limiting speed
n <sub>B</sub>	4800 1/min	Reference speed
C <sub>ur</sub>	1990 N	Fatigue limit load, radial

## 16020

Figure 1, Figure 2,

d	100 mm	
D	150 mm	
B	16 mm	
D <sub>1</sub>	132,7 mm	
d <sub>1</sub>	117,6 mm	
D <sub>a max</sub>	145,4 mm	
d <sub>a min</sub>	104,6 mm	
r <sub>a max</sub>	1 mm	
r <sub>min</sub>	1 mm	
m	0,956 kg	Mass
C <sub>r</sub>	44000 N	Basic dynamic load rating, radial
C <sub>0r</sub>	44000 N	Basic static load rating, radial
n <sub>G</sub>	10000 1/min	Limiting speed
n <sub>B</sub>	4500 1/min	Reference speed
C <sub>ur</sub>	1990 N	Fatigue limit load, radial

## 16021

Figure 1, Figure 2,

d	105 mm	
D	160 mm	
B	18 mm	
D <sub>1</sub>	141,2 mm	
d <sub>1</sub>	124,2 mm	
D <sub>a max</sub>	155,4 mm	
d <sub>a min</sub>	109,6 mm	
r <sub>a max</sub>	1 mm	
r <sub>min</sub>	1 mm	
m	1,24 kg	Mass
C <sub>r</sub>	54000 N	Basic dynamic load rating, radial
C <sub>0r</sub>	54000 N	Basic static load rating, radial
n <sub>G</sub>	9500 1/min	Limiting speed
n <sub>B</sub>	4500 1/min	Reference speed
C <sub>ur</sub>	2400 N	Fatigue limit load, radial

## 16022

Figure 1, Figure 2,

d	110 mm	
D	170 mm	
B	19 mm	
D <sub>1</sub>	149,5 mm	
d <sub>1</sub>	130,7 mm	
D <sub>a max</sub>	165,4 mm	
d <sub>a min</sub>	114,6 mm	
r <sub>a max</sub>	1 mm	
r <sub>min</sub>	1 mm	
m	1,52 kg	Mass
C <sub>r</sub>	57000 N	Basic dynamic load rating, radial
C <sub>0r</sub>	57000 N	Basic static load rating, radial
n <sub>G</sub>	9000 1/min	Limiting speed
n <sub>B</sub>	4300 1/min	Reference speed
C <sub>ur</sub>	2800 N	Fatigue limit load, radial

## 16024

Figure 1, Figure 2,

d	120 mm	
D	180 mm	
B	19 mm	
D <sub>1</sub>	159,5 mm	
d <sub>1</sub>	140,7 mm	
D <sub>a max</sub>	175,4 mm	
d <sub>a min</sub>	124,6 mm	
r <sub>a max</sub>	1 mm	
r <sub>min</sub>	1 mm	
m	1,62 kg	Mass
C <sub>r</sub>	61000 N	Basic dynamic load rating, radial
C <sub>0r</sub>	64000 N	Basic static load rating, radial
n <sub>G</sub>	8000 1/min	Limiting speed
n <sub>B</sub>	4000 1/min	Reference speed
C <sub>ur</sub>	3000 N	Fatigue limit load, radial

## 16026

Figure 1, Figure 2,

d	130 mm	
D	200 mm	
B	22 mm	
D <sub>1</sub>	176,7 mm	
d <sub>1</sub>	154,7 mm	
D <sub>a max</sub>	194 mm	
d <sub>a min</sub>	136 mm	
r <sub>a max</sub>	1 mm	
r <sub>min</sub>	1,1 mm	
m	2,41 kg	Mass
C <sub>r</sub>	78000 N	Basic dynamic load rating, radial
C <sub>0r</sub>	81500 N	Basic static load rating, radial
n <sub>G</sub>	7500 1/min	Limiting speed
n <sub>B</sub>	3800 1/min	Reference speed
C <sub>ur</sub>	3650 N	Fatigue limit load, radial

## 16028

Figure 1, Figure 2,

d	140 mm	
D	210 mm	
B	22 mm	
D <sub>1</sub>	186,6 mm	
d <sub>1</sub>	164,8 mm	
D <sub>a max</sub>	204 mm	
d <sub>a min</sub>	146 mm	
r <sub>a max</sub>	1 mm	
r <sub>min</sub>	1,1 mm	
m	2,55 kg	Mass
C <sub>r</sub>	80000 N	Basic dynamic load rating, radial
C <sub>0r</sub>	86500 N	Basic static load rating, radial
n <sub>G</sub>	7000 1/min	Limiting speed
n <sub>B</sub>	3600 1/min	Reference speed
C <sub>ur</sub>	3750 N	Fatigue limit load, radial

## 16030

Figure 1, Figure 2,

d	150 mm	
D	225 mm	
B	24 mm	
D <sub>1</sub>	199,6 mm	
d <sub>1</sub>	176 mm	
D <sub>a max</sub>	219 mm	
d <sub>a min</sub>	156 mm	
r <sub>a max</sub>	1 mm	
r <sub>min</sub>	1,1 mm	
m	3,17 kg	Mass
C <sub>r</sub>	91500 N	Basic dynamic load rating, radial
C <sub>0r</sub>	98000 N	Basic static load rating, radial
n <sub>G</sub>	6700 1/min	Limiting speed
n <sub>B</sub>	3400 1/min	Reference speed
C <sub>ur</sub>	3650 N	Fatigue limit load, radial

## 16032

Figure 1, Figure 2,

d	160 mm	
D	240 mm	
B	25 mm	
D <sub>1</sub>	212,4 mm	
d <sub>1</sub>	187,3 mm	
D <sub>a max</sub>	233 mm	
d <sub>a min</sub>	167 mm	
r <sub>a max</sub>	1,5 mm	
r <sub>min</sub>	1,5 mm	
m	3,8 kg	Mass
C <sub>r</sub>	102000 N	Basic dynamic load rating, radial
C <sub>0r</sub>	114000 N	Basic static load rating, radial
n <sub>G</sub>	6300 1/min	Limiting speed
n <sub>B</sub>	3200 1/min	Reference speed
C <sub>ur</sub>	4600 N	Fatigue limit load, radial

## 16034

Figure 1, Figure 2,

d	170 mm	
D	260 mm	
B	28 mm	
D <sub>1</sub>	228,6 mm	
d <sub>1</sub>	202,3 mm	
D <sub>a max</sub>	253 mm	
d <sub>a min</sub>	177 mm	
r <sub>a max</sub>	1,5 mm	
r <sub>min</sub>	1,5 mm	
m	5,15 kg	Mass
C <sub>r</sub>	122000 N	Basic dynamic load rating, radial
C <sub>0r</sub>	137000 N	Basic static load rating, radial
n <sub>G</sub>	6000 1/min	Limiting speed
n <sub>B</sub>	3000 1/min	Reference speed
C <sub>ur</sub>	5400 N	Fatigue limit load, radial

## 16036

Figure 1, Figure 2,

d	180 mm	
D	280 mm	
B	31 mm	
D <sub>1</sub>	238,8 mm	
d <sub>1</sub>	211,9 mm	
D <sub>a max</sub>	271,2 mm	
d <sub>a min</sub>	188,8 mm	
r <sub>a max</sub>	2 mm	
r <sub>min</sub>	2 mm	
m	6,92 kg	Mass
C <sub>r</sub>	132000 N	Basic dynamic load rating, radial
C <sub>0r</sub>	146000 N	Basic static load rating, radial
n <sub>G</sub>	5600 1/min	Limiting speed
n <sub>B</sub>	2800 1/min	Reference speed
C <sub>ur</sub>	5200 N	Fatigue limit load, radial

## 16038

Figure 1, Figure 2,

d	190 mm	
D	290 mm	
B	31 mm	
D <sub>1</sub>	255,1 mm	
d <sub>1</sub>	225,8 mm	
D <sub>a max</sub>	281,2 mm	
d <sub>a min</sub>	198,8 mm	
f <sub>a max</sub>	2 mm	
r <sub>min</sub>	2 mm	
m	7,04 kg	Mass
C <sub>r</sub>	150000 N	Basic dynamic load rating, radial
C <sub>0r</sub>	166000 N	Basic static load rating, radial
n <sub>G</sub>	5300 1/min	Limiting speed
n <sub>B</sub>	2600 1/min	Reference speed
C <sub>ur</sub>	6300 N	Fatigue limit load, radial

## 16040

Figure 1, Figure 2,

d	200 mm	
D	310 mm	
B	34 mm	
D <sub>1</sub>	276,4 mm	
d <sub>1</sub>	244,5 mm	
D <sub>a max</sub>	301,2 mm	
d <sub>a min</sub>	208,8 mm	
f <sub>a max</sub>	2 mm	
r <sub>min</sub>	2 mm	
m	9 kg	Mass
C <sub>r</sub>	176000 N	Basic dynamic load rating, radial
C <sub>0r</sub>	204000 N	Basic static load rating, radial
n <sub>G</sub>	4800 1/min	Limiting speed
n <sub>B</sub>	2600 1/min	Reference speed
C <sub>ur</sub>	7300 N	Fatigue limit load, radial

## 16044

Figure 1, Figure 2,

d	220 mm	
D	340 mm	
B	37 mm	
D <sub>1</sub>	298,1 mm	
d <sub>1</sub>	262,8 mm	
D <sub>a max</sub>	329,8 mm	
d <sub>a min</sub>	230,2 mm	
r <sub>a max</sub>	2,1 mm	
r <sub>min</sub>	2,1 mm	
m	11,8 kg	Mass
C <sub>r</sub>	200000 N	Basic dynamic load rating, radial
C <sub>0r</sub>	240000 N	Basic static load rating, radial
n <sub>G</sub>	4300 1/min	Limiting speed
n <sub>B</sub>	2200 1/min	Reference speed
C <sub>ur</sub>	8400 N	Fatigue limit load, radial

## 16048

Figure 1, Figure 2,

d	240 mm	
D	360 mm	
B	37 mm	
D <sub>1</sub>	317,4 mm	
d <sub>1</sub>	283,1 mm	
D <sub>a max</sub>	349,8 mm	
d <sub>a min</sub>	250,2 mm	
r <sub>a max</sub>	2,1 mm	
r <sub>min</sub>	2,1 mm	
m	12,7 kg	Mass
C <sub>r</sub>	204000 N	Basic dynamic load rating, radial
C <sub>0r</sub>	255000 N	Basic static load rating, radial
n <sub>G</sub>	3800 1/min	Limiting speed
n <sub>B</sub>	2000 1/min	Reference speed
C <sub>ur</sub>	8500 N	Fatigue limit load, radial

## 16052

Figure 1, Figure 2,

d	260 mm	
D	400 mm	
B	44 mm	
D <sub>1</sub>	351,2 mm	
d <sub>1</sub>	310 mm	
D <sub>a max</sub>	387,6 mm	
d <sub>a min</sub>	272,4 mm	
f <sub>a max</sub>	2,5 mm	
r <sub>min</sub>	3 mm	
m	19,1 kg	Mass
C <sub>r</sub>	236000 N	Basic dynamic load rating, radial
C <sub>0r</sub>	310000 N	Basic static load rating, radial
n <sub>G</sub>	3600 1/min	Limiting speed
n <sub>B</sub>	1900 1/min	Reference speed
C <sub>ur</sub>	9900 N	Fatigue limit load, radial

## 16056M

Figure 1, Figure 2,

d	280 mm	
D	420 mm	
B	44 mm	
D <sub>1</sub>	370,6 mm	
d <sub>1</sub>	329,9 mm	
D <sub>a max</sub>	407,6 mm	
d <sub>a min</sub>	292,4 mm	
f <sub>a max</sub>	2,5 mm	
r <sub>min</sub>	3 mm	
m	23,2 kg	Mass
C <sub>r</sub>	240000 N	Basic dynamic load rating, radial
C <sub>0r</sub>	325000 N	Basic static load rating, radial
n <sub>G</sub>	3400 1/min	Limiting speed
n <sub>B</sub>	1800 1/min	Reference speed
C <sub>ur</sub>	10100 N	Fatigue limit load, radial

## 16060M

Figure 1, Figure 2,

d	300 mm	
D	460 mm	
B	50 mm	
D <sub>1</sub>	404 mm	
d <sub>1</sub>	357,3 mm	
D <sub>a max</sub>	445,4 mm	
d <sub>a min</sub>	314,6 mm	
r <sub>a max</sub>	3 mm	
r <sub>min</sub>	4 mm	
m	32,6 kg	Mass
C <sub>r</sub>	300000 N	Basic dynamic load rating, radial
C <sub>0r</sub>	430000 N	Basic static load rating, radial
n <sub>G</sub>	3200 1/min	Limiting speed
n <sub>B</sub>	1600 1/min	Reference speed
C <sub>ur</sub>	12700 N	Fatigue limit load, radial

## 16064M

Figure 1, Figure 2,

d	320 mm	
D	480 mm	
B	50 mm	
D <sub>1</sub>	423,1 mm	
d <sub>1</sub>	377,7 mm	
D <sub>a max</sub>	465,4 mm	
d <sub>a min</sub>	334,6 mm	
r <sub>a max</sub>	3 mm	
r <sub>min</sub>	4 mm	
m	34,9 kg	Mass
C <sub>r</sub>	305000 N	Basic dynamic load rating, radial
C <sub>0r</sub>	455000 N	Basic static load rating, radial
n <sub>G</sub>	3000 1/min	Limiting speed
n <sub>B</sub>	1500 1/min	Reference speed
C <sub>ur</sub>	13000 N	Fatigue limit load, radial

## 16068M

Figure 1, Figure 2,

d	340 mm	
D	520 mm	
B	57 mm	
D <sub>1</sub>	457,1 mm	
d <sub>1</sub>	403,6 mm	
D <sub>a max</sub>	505,4 mm	
d <sub>a min</sub>	354,6 mm	
f <sub>a max</sub>	3 mm	
r <sub>min</sub>	4 mm	
m	47,5 kg	Mass
C <sub>r</sub>	355000 N	Basic dynamic load rating, radial
C <sub>0r</sub>	550000 N	Basic static load rating, radial
n <sub>G</sub>	2800 1/min	Limiting speed
n <sub>B</sub>	1400 1/min	Reference speed
C <sub>ur</sub>	17800 N	Fatigue limit load, radial

## 16072M

Figure 1, Figure 2,

d	360 mm	
D	540 mm	
B	57 mm	
D <sub>1</sub>	478,1 mm	
d <sub>1</sub>	423,5 mm	
D <sub>a max</sub>	525,4 mm	
d <sub>a min</sub>	374,6 mm	
f <sub>a max</sub>	3 mm	
r <sub>min</sub>	4 mm	
m	49,4 kg	Mass
C <sub>r</sub>	365000 N	Basic dynamic load rating, radial
C <sub>0r</sub>	585000 N	Basic static load rating, radial
n <sub>G</sub>	2800 1/min	Limiting speed
n <sub>B</sub>	1300 1/min	Reference speed
C <sub>ur</sub>	15700 N	Fatigue limit load, radial

## 16076M

Figure 1, Figure 2,

d	380 mm	
D	560 mm	
B	57 mm	
D <sub>1</sub>	498 mm	
d <sub>1</sub>	443,5 mm	
D <sub>a max</sub>	545,4 mm	
d <sub>a min</sub>	394,6 mm	
r <sub>a max</sub>	3 mm	
r <sub>min</sub>	4 mm	
m	51,7 kg	Mass
C <sub>r</sub>	375000 N	Basic dynamic load rating, radial
C <sub>0r</sub>	620000 N	Basic static load rating, radial
n <sub>G</sub>	2600 1/min	Limiting speed
n <sub>B</sub>	1300 1/min	Reference speed
C <sub>ur</sub>	16200 N	Fatigue limit load, radial