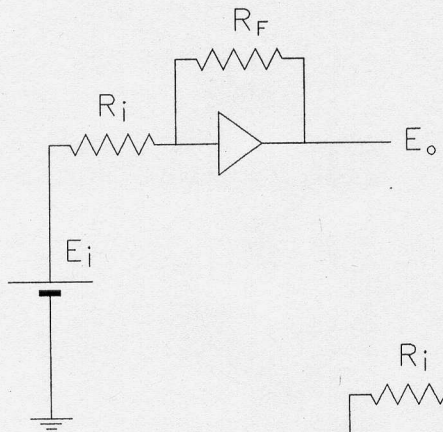
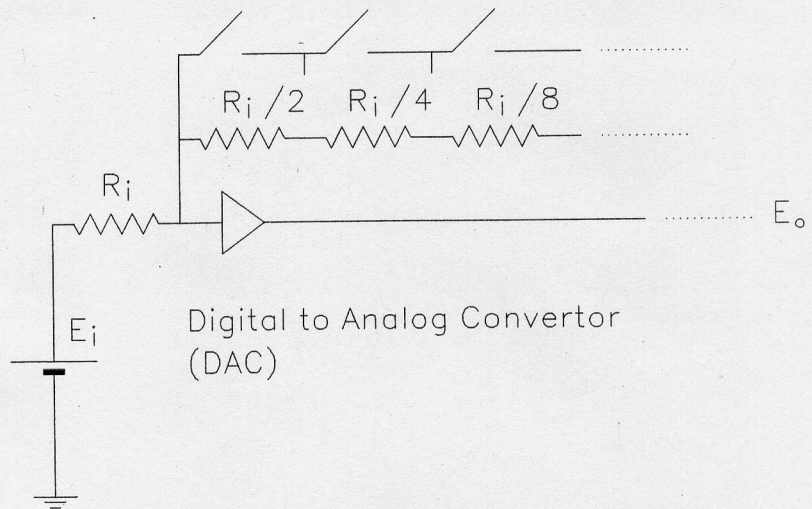


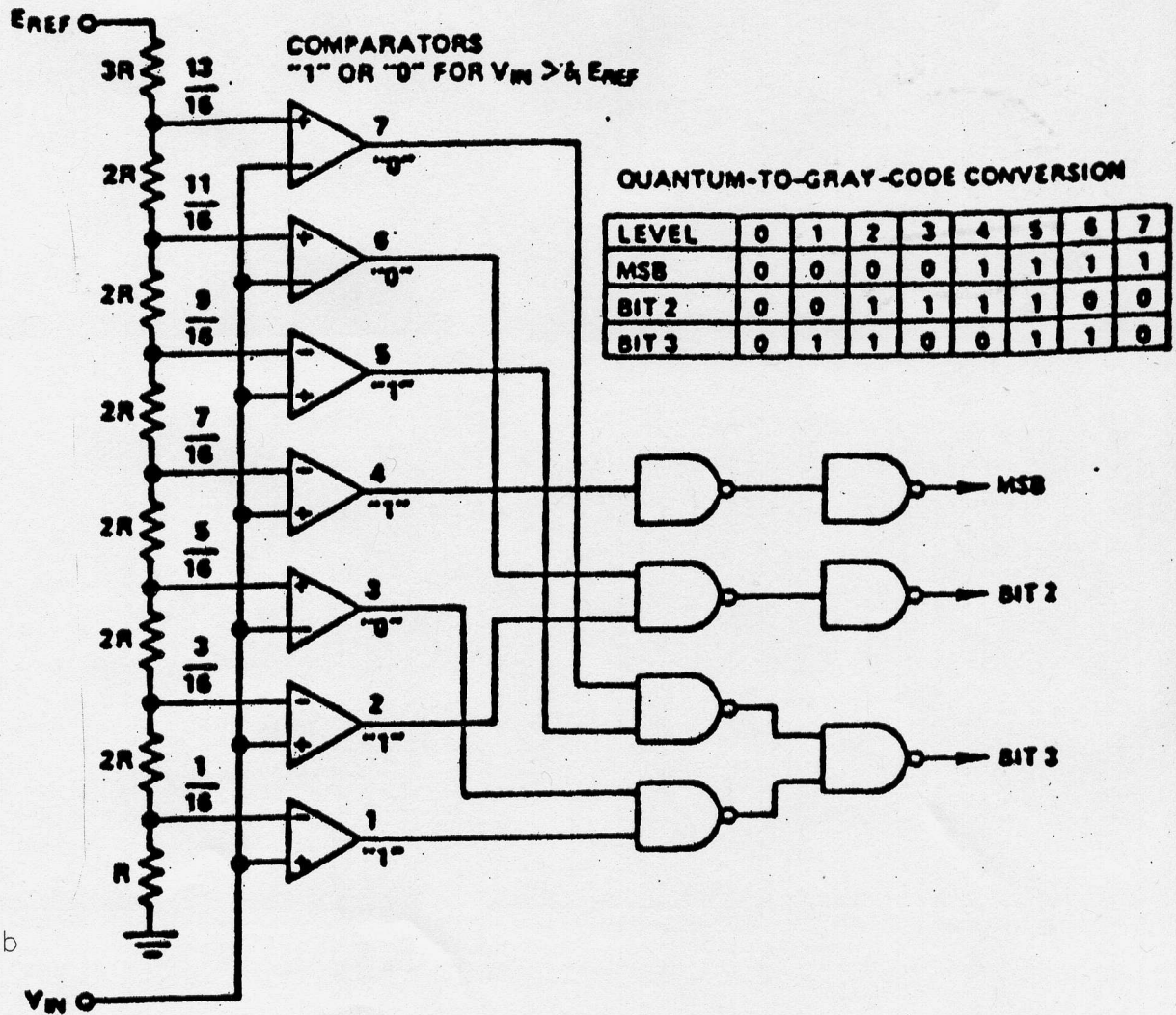
Basic Operational Amplifier



$$E_o = E_i R_f / R_i$$



Digital to Analog Converter (DAC)



(26)ADAC42b